

THIS DRAWING IS UNPUBLISHED.

RELEASED FOR PUBLICATION

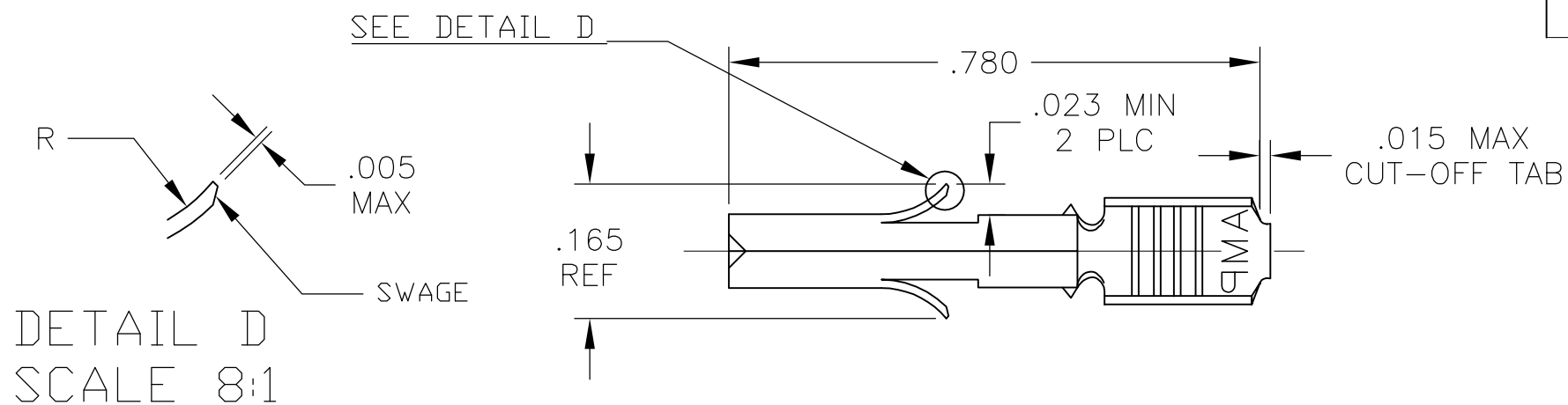
ALL RIGHTS RESERVED.

© COPYRIGHT - By -

LOC AF DIST 50

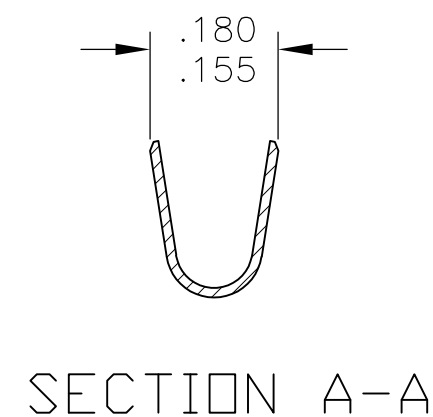
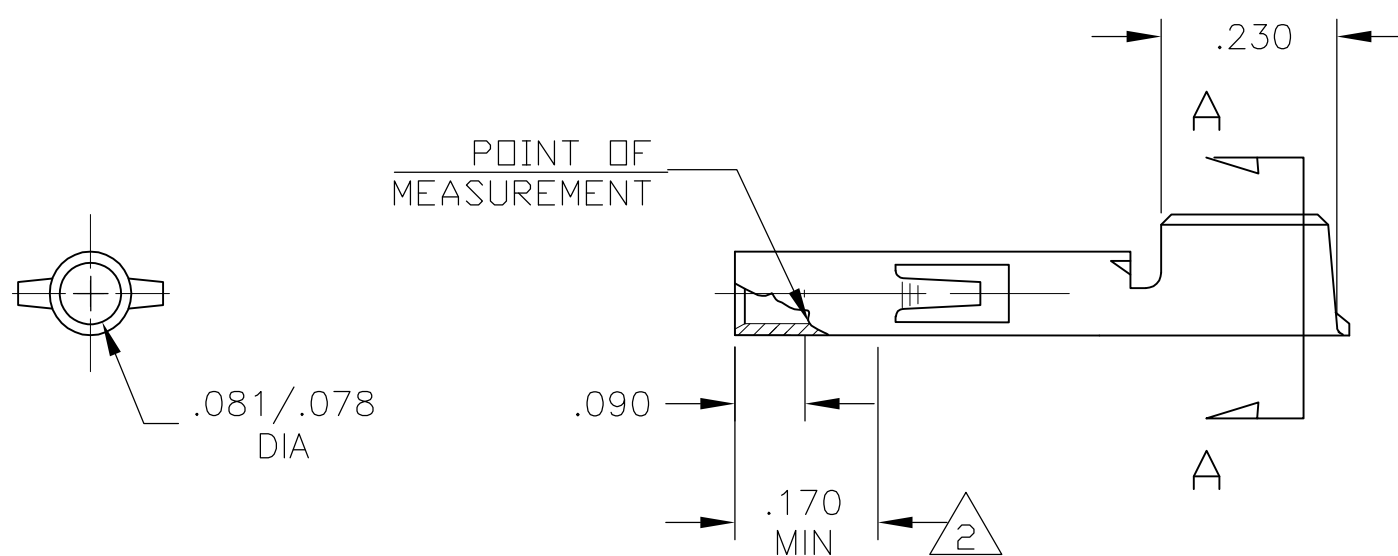
REVISIONS

P	LTR	DESCRIPTION	DATE	DWN	APVD
G2		REV PER ECO 11-020508	11OCT11	JR	TM



- WIRE RANGE : 12-10 AWG
INSULATION RANGE: .200 DIA MAX
(LIMITED BY THE CONNECTOR HOUSING CAVITY).
- .000030 THK GOLD, OVER .000050 NICKEL UNDERPLATE ON INSIDE OF RECEPTACLE, REMAINDER OF CONTACT IS NICKEL PLATED.

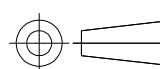
DETAIL D
SCALE 8:1



GOLD \triangle_2	.012±.001 PHOS BRZ	640310-6
PRE-TIN	.012±.001 PHOS BRZ	640310-3
FINISH	MATERIAL	PART NUMBER

THIS DRAWING IS A CONTROLLED DOCUMENT.

DIMENSIONS:
INCHES



TOLERANCES UNLESS OTHERWISE SPECIFIED:

0 PLC	± -
1 PLC	± -
2 PLC	± -
3 PLC	± .010
4 PLC	± -
ANGLES	± -
FINISH	-

MATERIAL -

DWN jr_ruth 11OCT11

CHK TOM MICHIELUTTI 11OCT11

APVD TOM MICHIELUTTI 11OCT11

PRODUCT SPEC -

APPLICATION SPEC -

WEIGHT -

CUSTOMER DRAWING



NAME: SOCKET UNIVERSAL MATE-N-LOK LOOSE PIECE

SIZE	CAGE CODE	DRAWING NO	RESTRICTED TO
A3	00779	C-640310	-

SCALE 4:1 SHEET 1 OF 1 REV G2